

APPLICATION NOTE - 010

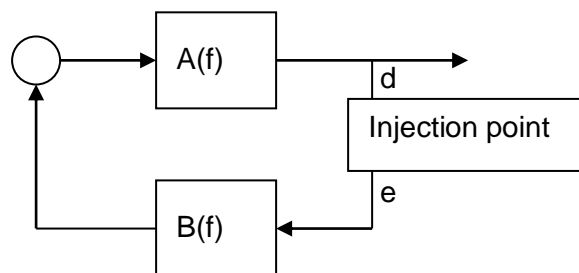
Loop gain measurement with multiple loops

Introduction:

Measurement of the loop gain of a control loop using a frequency response analyzer is relatively straightforward when there is a single feedback path. The test signal can be injected into the feedback loop and the loop gain can be directly measured. However, where multiple loops exist and cannot be isolated, it is not possible to directly measure the loop gain. In this case it is necessary to make measurements on each loop and combine the results mathematically.

Analysis:

Consider a single feed back loop:

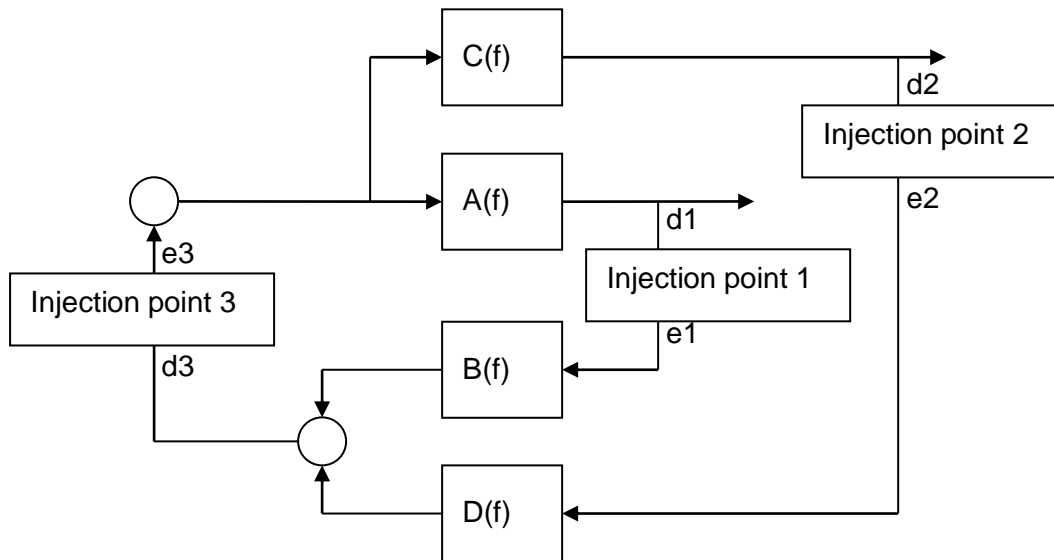


Measuring the disturbance, d , created by an excitation, e , either side of the injection point gives a direct measurement of the loop gain:

$$\text{loop gain} = AB = d / e$$

Where d and e are vectors measured at a specific frequency (f). Repeating the measurement over a frequency range allows a bode plot to be created.

Consider a control loop with 2 feedback paths:



The loop gain could be measured directly if it is possible to access injection point 3. However in most real control loops it is often impractical to make good measurements here either because it is inaccessible or because of the sensitivity of that part of the control circuitry.

Clearly if it were possible, then the loop gain would be given by:

$$\text{loop gain} = AB + CD = d3 / e3$$

Alternatively the two loops can be measured independently at injection point 1 and injection point 2, with the other loop still in circuit, and the results combined.

Considering loop 1, the disturbance $d1$ due to excitation $e1$ is given by:

$$\begin{aligned} d1 &= A [B.e1 + C.D.d1/A] \\ &= A.B.e1 + C.D.d1 \\ \text{so } d1 (1 - C.D) &= A.B.e1 \\ \text{so } d1/e1 &= A.B / (1 - C.D) \end{aligned}$$

Considering loop 2, the disturbance $d2$ due to excitation $e2$ is given by:

$$\begin{aligned} d2 &= C [D.e2 + A.B.d2/C] \\ &= C.D.e2 + A.B.d2 \\ \text{so } d2 (1 - A.B) &= C.D.e2 \\ \text{so } d2/e2 &= C.D / (1 - A.B) \end{aligned}$$

To simplify the equations, let us call the measured gain of loop 1, G1 and the measured gain of loop 2, G2; and let us call the actual gain of loop 1, L1 and the actual gain of loop 2, L2:

$$\begin{aligned} \text{and} \quad L1 &= A.B \\ L2 &= C.D \end{aligned}$$

$$\begin{aligned} \text{then} \quad G1 &= L1 / (1 - L2) \\ \text{and} \quad G2 &= L2 / (1 - L1) \end{aligned}$$

$$\text{Now,} \quad G1.G2 = L1.L2 / (1 - L1)(1 - L2)$$

$$\text{and} \quad 1 - G1.G2 = (1 - L1 - L2) / (1 - L1)(1 - L2)$$

$$\begin{aligned} \text{Also,} \quad G1 + G2 &= L1 / (1 - L2) + L2 / (1 - L1) \\ &= [L1.(1 - L1) + L2.(1 - L2)] / (1 - L1)(1 - L2) \\ &= [(1 - L1 - L2).(L1 + L2) + 2.L1.L2] / (1 - L1)(1 - L2) \end{aligned}$$

Combining these equations, gives the result:

$$(G1 + G2 - 2.G1.G2) / (1 - G1.G2) = L1 + L2$$

This is the same result as the loop gain measured directly by injection point 3. Therefore:

$$\text{loop gain} = (G1 + G2 - 2.G1.G2) / (1 - G1.G2)$$

where G1 and G2 are the measured gains using injection points 1 and 2.

Practical considerations:

Recommended techniques for the measurement of a single loop within a multiple feedback control circuit are given in other N4L support documents as follows:

1. Application Note 002 – Testing Loop Stability
2. Testing loop stability – PC simulation or real measurement
3. Guide to SMPS control loop testing

Loop gain measurement with multiple loops	July 2021	Doc ref: D000306 2
Newtons4th Ltd 1 Bede Island Road Leicester LE2 7EA UK		Tel: +44 (0)116 2301066