

For ultra-high precision measurement of current: DC, AC, pulsed..., with galvanic separation between primary and secondary.



## Features

- Closed loop (compensated) current transducer using an extremely accurate zero flux detector
- Electrostatic shield between primary and secondary circuit
- 9-pin D-Sub male secondary connector
- Status signal to indicate the transducer state
- LED indicator confirms normal operation.

## Advantages

- Very high accuracy
- Excellent linearity
- Extremely low temperature drift
- Wide frequency bandwidth
- High immunity to external fields
- No insertion losses
- Low noise on output signal
- Low noise feedback to primary conductor.

## Applications

- Feed back element in high performance gradient amplifiers for MRI
- Feedback element in high-precision, high-stability power supplies
- Calibration unit
- Energy measurement
- Medical equipment.

## Standards

- EN 61000-6-2: 2005
- EN 61000-6-3: 2007
- EN 61010-1: 2010.

## Application Domains

- Industrial
- Laboratory
- Medical.

## Insulation coordination

Parameter	Symbol	Unit	Value	Comment
Rated insulation rms voltage, basic insulation	$U_b$	V	1600	IEC 61010-1 conditions - over voltage cat III - pollution degree 2
Rated insulation rms voltage, reinforced insulation	$U_b$	V	300	IEC 61010-1 conditions - over voltage cat III - pollution degree 2
Rated insulation rms voltage, basic insulation	$U_b$	V	1000	EN 50178 conditions - over voltage cat III - pollution degree 2
Rated insulation rms voltage, reinforced insulation	$U_b$	V	600	EN 50178 conditions - over voltage cat III - pollution degree 2
Rms voltage for AC insulation test, 50/60 Hz, 1 min	$U_d$	kV	4.6	Between primary and secondary + shield
		V DC	200	Between secondary and shield
Impulse withstand voltage 1.2/50 $\mu$ s	$\dot{U}_w$	kV	8.5	
Clearance (pri. - sec.)	$d_{Cl}$	mm	9	Shortest distance through air
Creepage distance (pri. - sec.)	$d_{Cp}$	mm	9	Shortest path along device body
Comparative tracking index	$CTI$	V	600	

If insulated cable is used for the primary circuit, the voltage category could be improved with the following table (for single insulation) (IEC 61010-1 standard):

Cable insulated (primary)	Category
HAR03	1750 V CAT III
HAR05	1850 V CAT III
HAR07	1950 V CAT III

## Environmental and mechanical characteristics

Parameter	Symbol	Unit	Min	Typ	Max	Comment
Ambient operating temperature	$T_A$	°C	10		50	
Ambient storage temperature	$T_S$	°C	-20		85	
Relative humidity	$RH$	%	20		80	Non-condensing
Dimensions						See drawing page 8
Mass	$m$	kg		0.8		

**Electrical data**

 At  $T_A = 25\text{ °C}$ ,  $\pm U_C = \pm 15\text{ V}$ , unless otherwise noted.

Parameter	Symbol	Unit	Min	Typ	Max	Comment
Primary continuous direct current	$I_{PNDC}$	A	-900		900	
Primary nominal rms current	$I_{PN}$	A			636	
Primary current, measuring range	$I_{PM}$	A	-900		900	
Measuring resistance	$R_M$	$\Omega$	2.5		5	See graph page 5
Secondary current	$I_S$	A	-0.6		0.6	
Conversion ratio	$K_N$			1:1500		
Resistance of secondary winding	$R_S$	$\Omega$		11		
Overload capability <sup>1)</sup>	$\hat{I}_P$	kA	-4.5		4.5	@ pulse of 100 ms
Supply voltage	$U_C$	V	$\pm 14.25$	$\pm 15$	$\pm 15.75$	
Current consumption	$I_C$	mA			150	Add $I_S$ for total current consumption
Output rms noise 0 .. 10 Hz <sup>2)</sup>	$V_{no}$	ppm			0.05	
Output rms noise 0 .. 100 Hz <sup>2)</sup>					0.2	
Output rms noise 0 .. 1 kHz <sup>2)</sup>					0.7	
Output rms noise 0 .. 10 kHz <sup>2)</sup>					4	
Output rms noise 0 .. 50 kHz <sup>2)</sup>					10	
Re-injected rms noise on primary bus bar		$\mu\text{V}$			5	0 .. 50 kHz
Electrical offset current + self magnetization + effect of earth magnetic field <sup>2)</sup>	$I_{OE}$	ppm	-10		10	
Temperature coefficient of $I_{OE}$ <sup>2)</sup>	$TCI_{OE}$	ppm/K	-0.3		0.3	10 °C .. 50 °C
Offset stability <sup>2)</sup>		ppm/month	-0.5		0.5	
Linearity error <sup>2)</sup>	$\epsilon_L$	ppm	-1		1	
Step response time to 90 % of $I_{PNDC}$	$t_r$	$\mu\text{s}$			1	$di/dt$ of 100 A/ $\mu\text{s}$
$di/dt$ accurately followed	$di/dt$	A/ $\mu\text{s}$	100			
Frequency bandwidth ( $\pm 1\text{ dB}$ )	$BW$	kHz	0	100		Small-signal bandwidth, 0.5% of $I_{PM}$
Frequency bandwidth ( $\pm 3\text{ dB}$ )	$BW$	kHz	0	300		Small-signal bandwidth, 0.5% of $I_{PM}$

- Notes:**
- <sup>1)</sup> Single pulse only, not AC. The transducer may require a few seconds to return to normal operation when autoreset system is running.
  - <sup>2)</sup> All ppm figures refer to full-scale which corresponds to a secondary current ( $I_S$ ) of 0.6 A.

## Overload protection - Electrical specification - Status

The overload occurs when the primary current  $I_p$  exceeds a trip level such that the fluxgate detector becomes completely saturated and, consequently, the transducer will switch from normal operation to overload mode.

This trip level is guaranteed to be greater than 110 % of  $I_{PNDC}$  and its actual value depends on operating conditions such as temperature and measuring resistance.

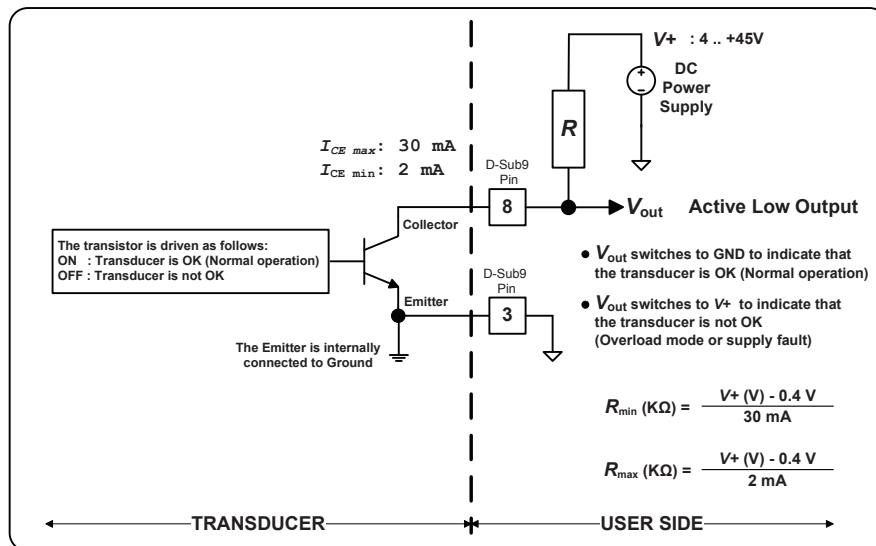
When this happens, the transducer will shut down the measuring circuit and wait until the primary current is near zero.

Under these conditions:

- The signal  $V_{out}$  (operation status between pin 3 and 8 of the D-sub connector) switches to  $V+$ . In other words, the output transistor is switched off (i.e., no current from collector to emitter). See the status port wiring below.
- The green LED indicator (normal operation status) turns off.

When the primary current returns in the range of -1 A to 1 A, the measuring circuit is automatically re-enabled, the signal  $V_{out}$  switches to ground ( $V_{out} < 0.2$  V) and the green LED indicator (normal operation status) is again lit.

### Status/interlock port wiring



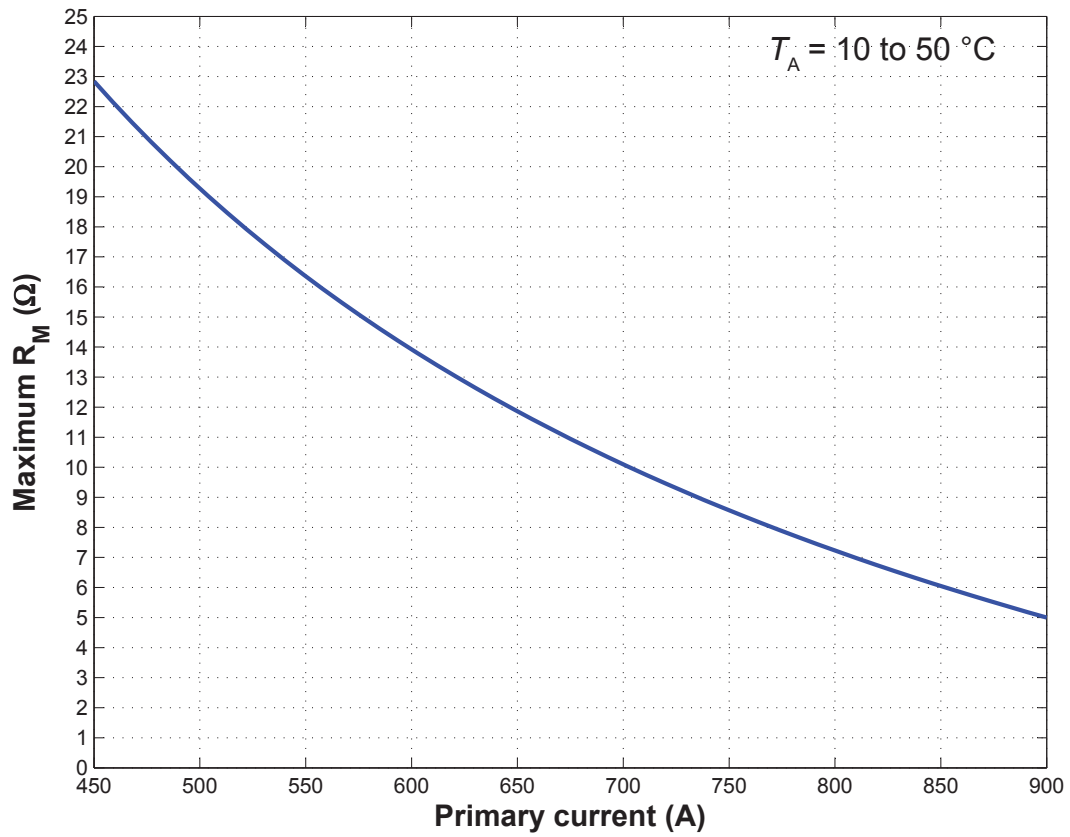
Some recommended standard values of  $R$  are given in the following table:

Power supply voltage $U_c$	$R_{min}$ (k $\Omega$ )	$R_{max}$ (k $\Omega$ )	$R$ standard values $\pm 5\%$
5 V	0.153	2.3	180 $\Omega$ , 1 k $\Omega$ or 2.2 k $\Omega$
12 V	0.386	5.8	470 $\Omega$ , 2.2 k $\Omega$ or 4.7 k $\Omega$
24 V	0.786	11.8	1 k $\Omega$ , 2.2 k $\Omega$ or 10 k $\Omega$

### Electrical data - status port

Parameter	Symbol	Unit	Min	Typ	Max	Comment
Collector-Emitter voltage, off-state	$V_{CE \text{ off}}$	V	4		45	
Collector-Emitter current, on-state	$I_{CE}$	mA	2		30	
Reverse Collector-Emitter voltage, off-state	$V_{CER \text{ off}}$	V			5	
Collector-Emitter voltage, on-state	$V_{CE \text{ on}}$	V			0.2	

Maximum measuring resistance versus primary current



## Safety

This transducer must be used in limited-energy secondary circuits according to IEC 61010-1.



This transducer must be used in electric/electronic equipment with respect to applicable standards and safety requirements in accordance with the manufacturer's operating instructions.



Caution, risk of electrical shock

When operating the transducer, certain parts of the module can carry hazardous voltage (eg. primary busbar, power supply). Ignoring this warning can lead to injury and/or cause serious damage.

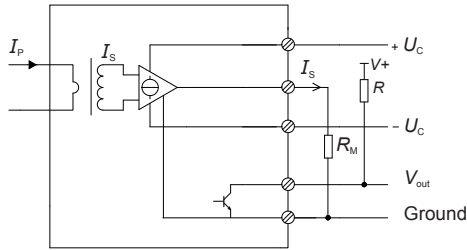
This transducer is a build-in device, whose conducting parts must be inaccessible after installation.

A protective housing or additional shield could be used.

Main supply must be able to be disconnected.

## Performance parameters definition

The schematic used to measure all electrical parameters is shown below:



### Transducer simplified model

The static model of the transducer at temperature  $T_A$  is:

$$I_S = K_N \cdot I_P + \text{error}$$

In which

$$\text{error} = I_{OE} \text{ at } 25^\circ\text{C} + I_{OT}(T_A) + \varepsilon_L \cdot I_{PM} \cdot K_N$$

Where,

$$I_{OT}(T_A) = TCI_{OE} \cdot |T_A - 25^\circ\text{C}| \cdot I_{PM} \cdot K_N$$

$I_S$	: secondary current (A)
$K_N$	: conversion ratio (1: 1500)
$I_P$	: primary current (A)
$I_{PM}$	: primary current, measuring range (A)
$T_A$	: ambient operating temperature ( $^\circ\text{C}$ )
$I_{OE}$	: electrical offset current (A)
$I_{OT}$	: temperature variation of $I_{OE}$ at $T_A$ (A)
$\varepsilon_L$	: linearity error

This is the absolute maximum error. As all errors are independent, a more realistic way to calculate the error would be to use the following formula:

$$\text{error} = \sqrt{\sum(\text{error\_component})^2}$$

### Linearity

To measure linearity, the primary current (DC) is cycled from 0 to  $I_{PM}$ , then to  $-I_{PM}$  and back to 0 (equally spaced  $I_{PM}/10$  steps). The linearity error  $\varepsilon_L$  is the maximum positive or negative difference between the measured points and the linear regression line, expressed in parts per million (ppm) of full-scale which corresponds to the maximum measured value.

### Electrical offset

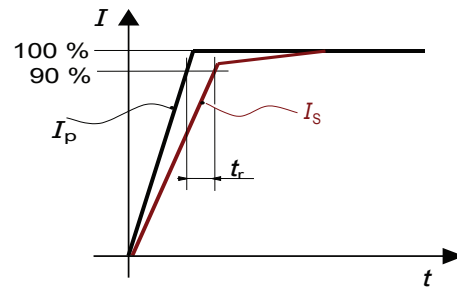
The electrical offset current  $I_{OE}$  is the residual output current when the input current is zero.

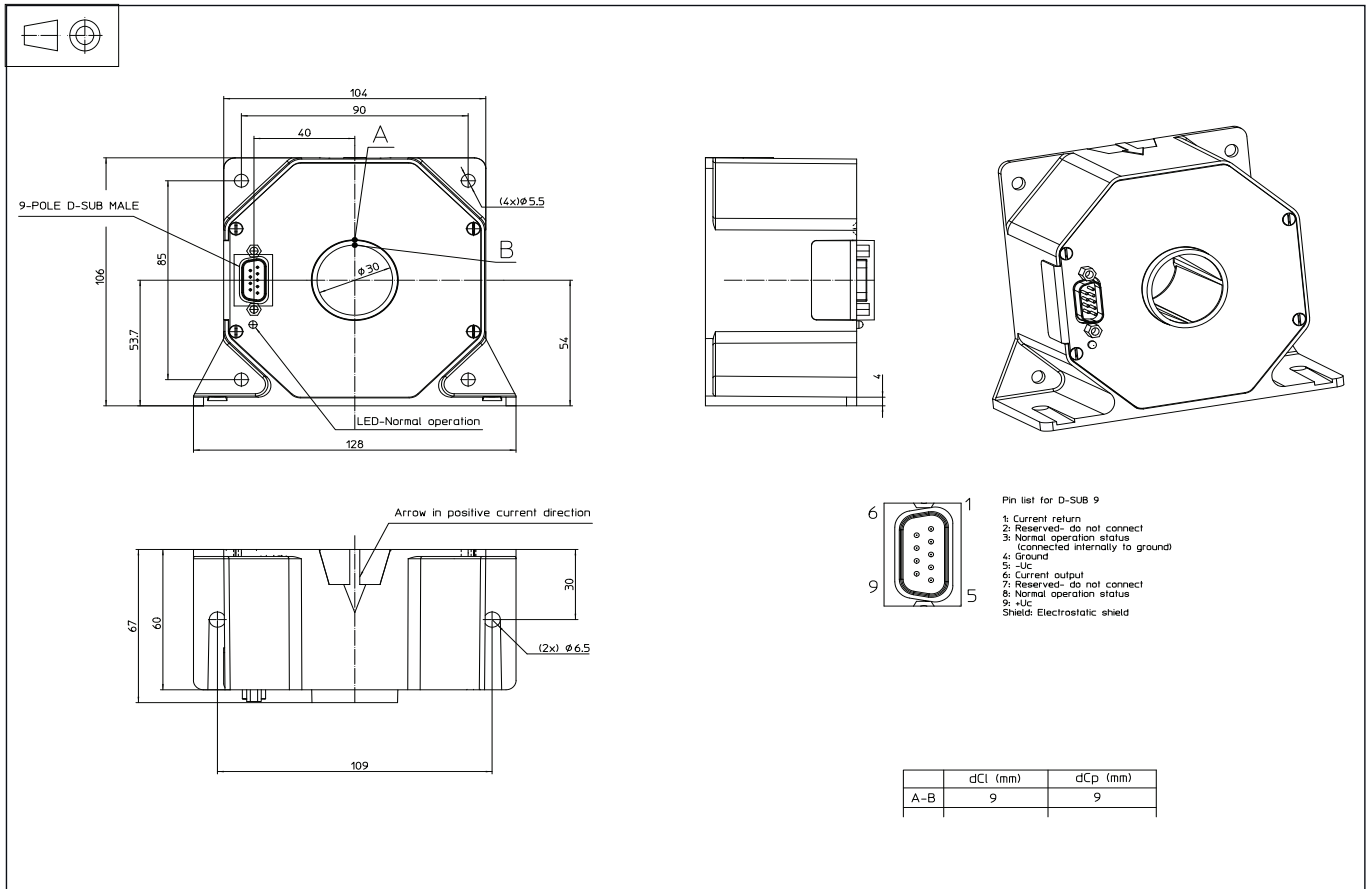
The temperature variation  $I_{OT}$  of the electrical offset current  $I_{OE}$  is the variation of the electrical offset from  $25^\circ\text{C}$  to the considered temperature.

### Response time

The response time  $t_r$  is shown in the next figure.

It depends on the primary current  $di/dt$  and it's measured at nominal current.



**Dimensions (in mm)**

**Connection**

- Normal operation status (Pins 3 and 8)  
Normal operation means:
  - $\pm 15\text{ V}$  ( $\pm U_C$ ) present
  - zero detector is working
  - compensation current  $\leq 110\%$  of  $I_{PN\ DC}$
  - green LED indicator is lit.

**Remarks**

- $I_S$  is positive when  $I_P$  flows in the direction of the arrow.
- We recommend that a shielded output cable and plug are used to ensure the maximum immunity against electrostatic fields.
- Pin 4 should be connected to cable and connector shield to maintain lowest output noise.
- Temperature of the primary conductor should not exceed  $50\text{ }^\circ\text{C}$ .

**Mechanical characteristics**

- General tolerance  $\pm 0.3\text{ mm}$
- Transducer fastening
  - Straight mounting 2 holes  $\phi 6.5\text{ mm}$   
2 x M6 steel screws  
Recommended fastening torque 4.4 Nm
  - Flat mounting 4 holes  $\phi 5.5\text{ mm}$   
4 x M5 steel screws  
Recommended fastening torque 3.7 Nm
- Connection of secondary on D-SUB-9, UNC 4-40
- All mounting recommendations are given for a standard mounting. Screws with flat and spring washers.
- Primary through hole  $\phi \leq 30\text{ mm}$
- Installation of the transducer must be done unless otherwise specified on the datasheet, according to LEM Transducer Generic Mounting Rules. Please refer to LEM document N°ANE120504 available on our Web site: [Products/Product Documentation](#).