

# LF Series LEM Transducer Interface kit

## LF-INTERFACE-KIT

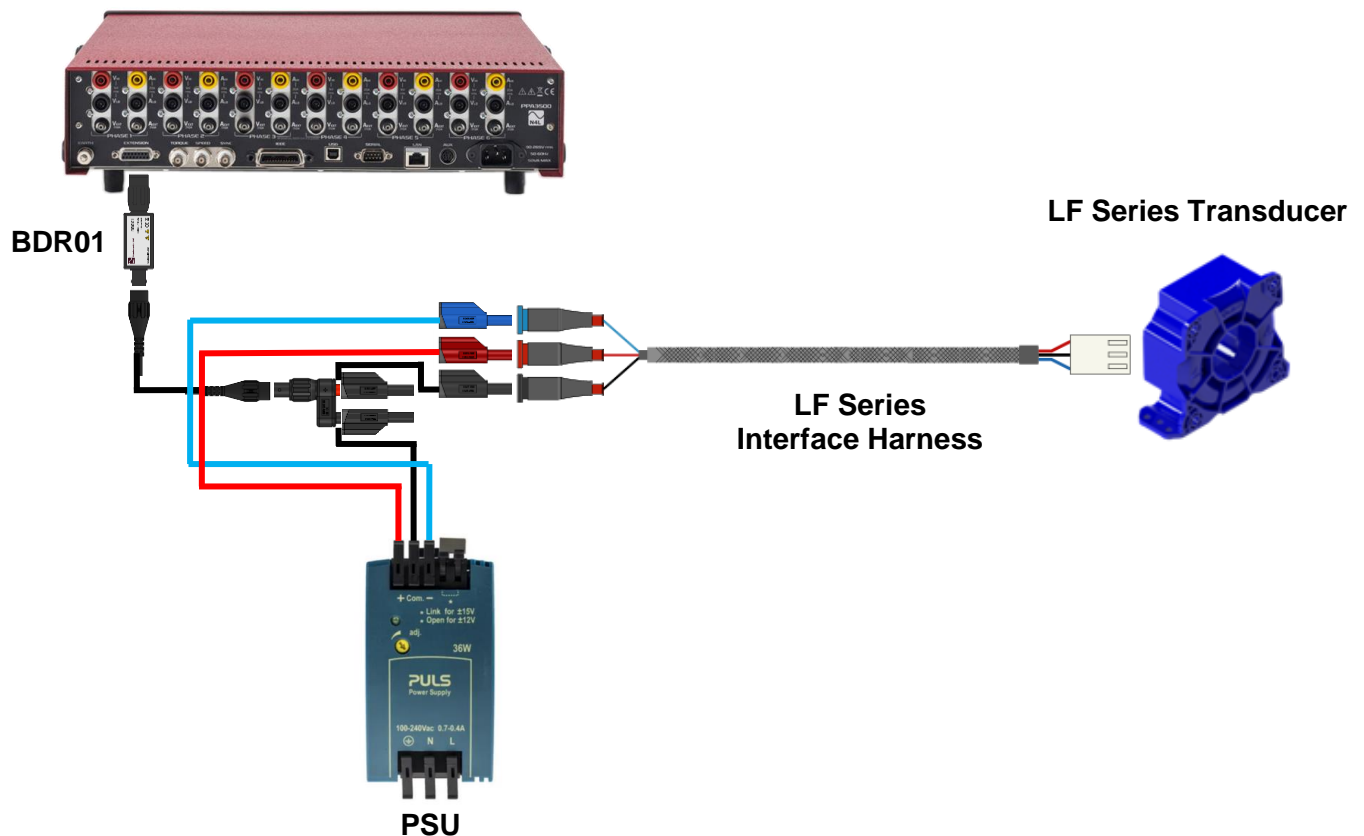
LEM current transducers are recognized as leaders in the field of high current AC+DC sensors and used in conjunction with PPA series power analyzers, they allow N4L to provide world leading high power measurement systems.

The LF series current transducers offer a low cost alternative to the IT, ITN and IN high precision transducers also available from N4L.

Power supply stability, constant and peak current rating, burden resistor selection, connection cable volt drop, noise rejection and total burden limits for a CT are some of the issues easily overlooked despite being critical to achieving an effective solution.

N4L current transducer interface accessories provide a solution to almost any high current power measurement environment with hardware specifically designed for ease of use, reliability, and optimum performance.

### LF Series Interface Kit Connections



## Compatibility

The LF Series Transducers and the LF Series Harness are compatible with the following LF Series transducers.

CT Model	Max AC Amps RMS	LF Series PSU Compatibility
LF 205-S	200	YES (12V Setting)
LF 510-S	500	YES
LF 1010-S	1000	YES
LF 2010-S	2000	YES

Table 1

Product Information	
LF Series PSU	12V/15V PSU
LF Series Interface Harness	1m Interface harness with 3 pin LF Series connector and 4mm connections pre terminated
BDR01	10hm Burden resistor with BNC connection
BNC-4mm Adapter	BNC-4mm Adapter
4mm-4mm Cables	4mm-4mm cable set (Red, Black and Blue)
BNC-BNC Lead	1m BNC-BNC Lead