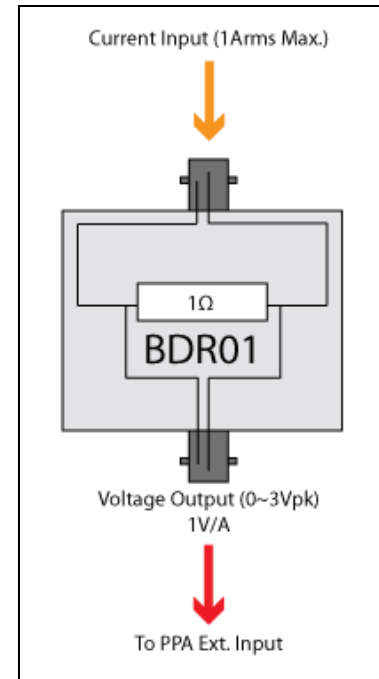


BDR01 – 1Arms Burden Resistor

1 Ohm Resistance, BNC-BNC connection



The BDR01 series shunt provides an accurate current sensing solution for current transducers/transformers outputting a current signal, the shunts feature BNC input and Output connectors.

The BDR01 is ideal for use in conjunction with current output transformers or zero flux based current sensing transducers such as the LEM IT and ITN series. The BDR01 extends the low current sensitivity significantly due to the higher shunt impedance, this is essential for current transducers with high “turns ratios”.

While the BDR series was primarily designed for use with the PPA series power analyzers from N4L that provide exceptional wideband accuracy, dynamic range and common mode rejection, they can also be used as a precise current sensing device for other equipment.

Model	Nominal Resistance	Phase Error	Continuous Current	Input Connector
BDR01	$1\Omega \pm 0.1\%$	$0.1^\circ / \text{kHz}$	1Arms	BNC

Permitted Crest Factor:	20 or 3Vpk
Maximum peak current:	3Apk
Output connector:	Safety BNC – Non isolated with non-inverted polarity (Output is at line potential therefore safety BNC to BNC leads must be used for instrument connection)
Protection rating:	600V Cat II