



Newtons4th Ltd



LEM-1

Single Channel Interface

User Manual

Version 1.0



DANGER OF ELECTRIC SHOCK

Only qualified personnel should install this equipment, after reading and understanding this user manual. If in doubt, consult your supplier.



RISQUE D'ELECTROCUTION

L'installation de cet équipement ne doit être confiée qu'à un personnel qualifié ayant lu et compris le présent manuel d'utilisation. Dans le doute, s'adresser au fournisseur.



GEFAHR VON ELEKTRISCHEM SCHOCK

Nur entsprechend ausgebildetes Personal ist berechtigt, diese Ausrüstung nach dem Lesen und Verständnis dieses Anwendungshandbuches zu installieren. Falls Sie Zweifel haben sollten, wenden Sie sich bitte an Ihren Lieferanten.



RISCHIO DI SCARICHE ELETTRICHE

Solo personale qualificato può installare questo strumento, dopo la lettura e la comprensione di questo manuale. Se esistono dubbiconsultate il vostro rivenditore.



PELIGRO DE DESCARGA ELÉCTRICA

LEM-1 User Manual

Solo personal cualificado debe instalar este instrumento, después de la lectura y comprensión de este manual de usuario. En caso de duda, consultar con su suministrador.

IMPORTANT SAFETY INSTRUCTIONS

This equipment is designed to comply with BSEN 61010-1 (2001) (Safety requirements for electrical equipment for measurement, control, and laboratory use) – observe the following precautions:

- This instrument is to be connected and operated only by qualified personnel.
- This appliance **must** be earthed. Ensure that the instrument is powered from a properly grounded supply before connecting to any live inputs.
- Ensure that the supply voltage agrees with the rating of the instrument printed on the back panel **before** connecting the mains cord to the supply.
- Keep the ventilation slots in the top and sides of the cover free from obstruction.
- Do not operate or store under conditions where condensation may occur or where conducting debris may enter the case. Do not use in a wet environment.
- There are no user serviceable parts inside the instrument – do not attempt to open the instrument, refer service to the manufacturer or his appointed agent.

Note: Newtons4th Ltd. shall not be liable for any consequential damages, losses, costs or expenses arising from the use or misuse of this product however caused.

DECLARATION OF CONFORMITY

This declaration is issued under the sole responsibility of the manufacturer:

Newtons4th Ltd.
1 Bede Island Road
Leicester
LE2 7EA

We declare that the product:

Description: LEM CT Interface

Product name: LEM-1

Model: LEM-1 Family

Conforms to the EEC Directives:

2014/30/EU relating to electromagnetic compatibility:

EN 61326-1:2013

EN 55022 class A

EN 61000-3-2:2014

EN 61000-3-3:2013

2014/35/EU relating to Low Voltage Directive:

EN 61010-2-030:2010

EN 61010-1:2010

January 2017

Stuart Chappell
(Director Newtons4th Ltd.)

WARRANTY

This product is guaranteed to be free from defects in materials and workmanship for a period of 36 months from the date of purchase.

In the unlikely event of any problem within this guarantee period, first contact Newtons4th Ltd. or your local representative, to give a description of the problem. Please have as much relevant information to hand as possible – particularly the serial number.

If the problem cannot be resolved directly then you will be given an RMA number and asked to return the unit. The unit will be repaired or replaced at the sole discretion of Newtons4th Ltd.

This guarantee is limited to the cost of the instrument itself and does not extend to any consequential damage or losses whatsoever including, but not limited to, any loss of earnings arising from a failure of the product or software.

In the event of any problem with the instrument outside of the guarantee period, Newtons4th Ltd. offers a full repair and re-calibration service – contact your local representative. It is recommended that the instrument be re-calibrated annually.

LEM-1 User Manual

ABOUT THIS MANUAL

This manual describes the general features, usage and specifications of the LEM-1 LEM CT interface.

Issue 1.00

9th April 2019

This manual is copyright © 2006 - 2019 Newtons4th Ltd. and all rights are reserved. No part may be copied or reproduced in any form without prior written consent.

LEM-1 User Manual

Contents

1	Getting started	1
1.1	Temperature Limits	1
1.2	Unpacking.....	1
2	Description of operation	3
3	Pin out.....	3
3.1	9 Pin D-sub pinout diagram.....	3
3.2	Connection Diagram.....	4
4	Setting up LEM-1	5
4.1	Setting PPA Ranges.....	5
4.1.1	Use with non-system calibrated CT's.....	5
4.1.2	Use with system calibrated CT's	9
5	Specifications	12
6	Appendix A – Compatible CT's	13
6.1	Appendix B – Contact Details	14

1 Getting started

LEM-1 is supplied ready to use – it comes complete with an appropriate power lead and a set of connection leads. It is supplied calibrated and does not require anything to be done by the user before it can be put into service.

1.1 Temperature Limits

The temperature limits for storage of the instrument and during shipping / transportation are:

-20° C to +70° C

The instrument must be within 5° C of the ambient temperature before operation.

1.2 Unpacking

Inside the carton there should be the following items:

- one LEM IT / ITN CT to LEM-1 interface
- one ELC ALE 1502 15V PSU
- one LEM Interface cable
- one Black safety BNC – BNC cable 50cm
- one set PSU to LEM-1 power leads
- one Calibration Certificate
- one Conformance Certificate
- Document Lead Set
- Voltage Rating Guide
- This manual

Before connecting the test leads to an active circuit first connect the PSU to a properly grounded supply outlet. Connect the PSU to the LEM-1 Using the safety leads. The PSU has a mains input and accepts any supply voltage from 190-264VAC at 50 or 60Hz, maximum 6A.

LEM-1 User Manual

Switch on the LEM-1 and allow 30 minutes warm up time before commencing any measurements in order to ensure accurate results.

In the event of any problem with this procedure, please contact customer services at Newtons4th Ltd. or your local authorised representative: contact addresses and telephone numbers are given in the appendix at the back of this manual.

LEM-1 User Manual

2 Description of operation

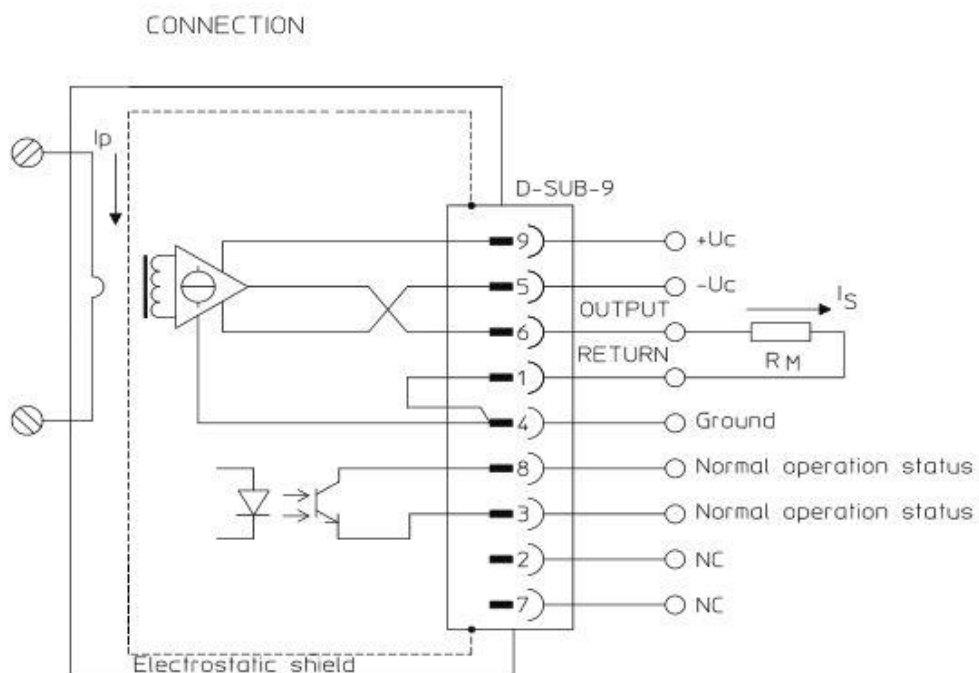
N4L LEM-1 Interface serves as a high accuracy, highly stable interfacing unit allowing simple "plug and play" connection of any N4L PPA to the LEM IT and ITN current transducers.

The LEM-1 supplies the LEM transducer with a highly stable isolated supply voltage.

3 Pin out

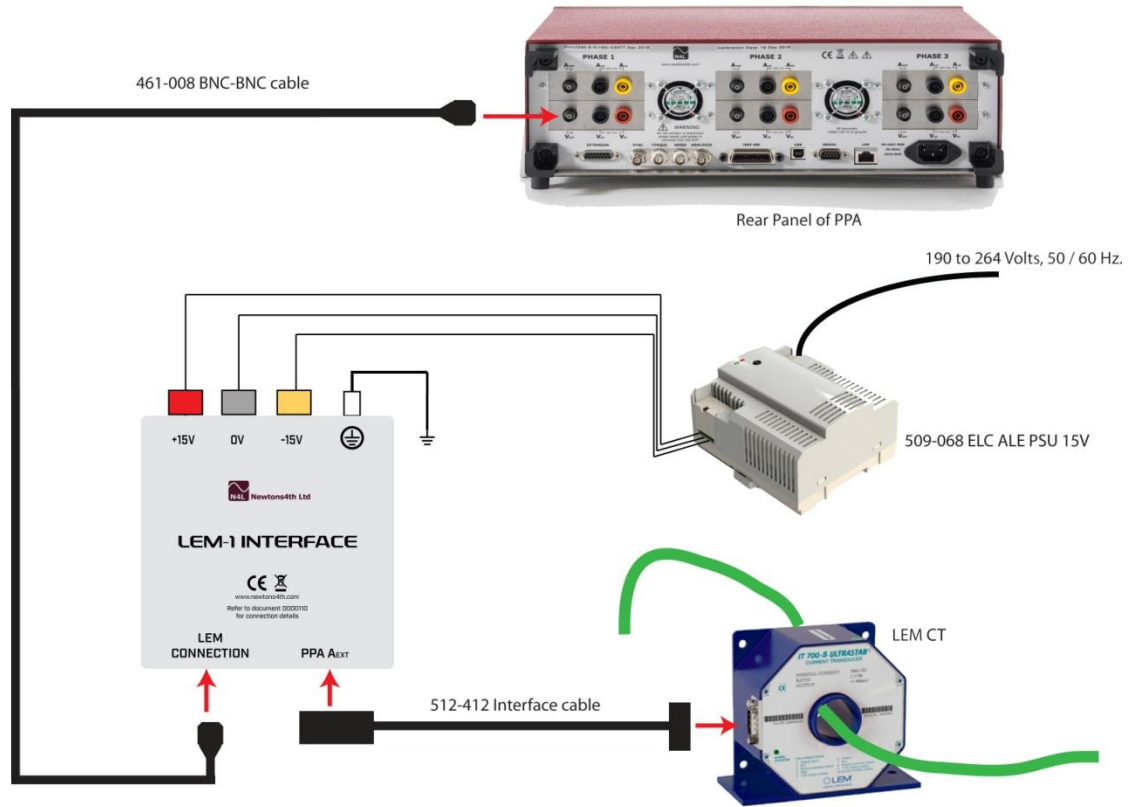
The LEM-1 is connected from the 9 pin D Sub connector to the LEM CT via the supplied interface lead.

3.1 9 Pin D-sub pinout diagram



LEM-1 User Manual

3.2 Connection Diagram



4 Setting up LEM-1

4.1 Setting PPA Ranges

Setting up the PPA depends upon whether the LEM-1 is being used as part of a calibrated system or not.

If the LEM-1 is purchased with an N4L power analyzer and LEM transducers, the LEM-1 Interface can be "system calibrated" within N4L's ISO17025 UKAS laboratory. This provides the engineer with a single uncertainty figure and improved accuracy performance.

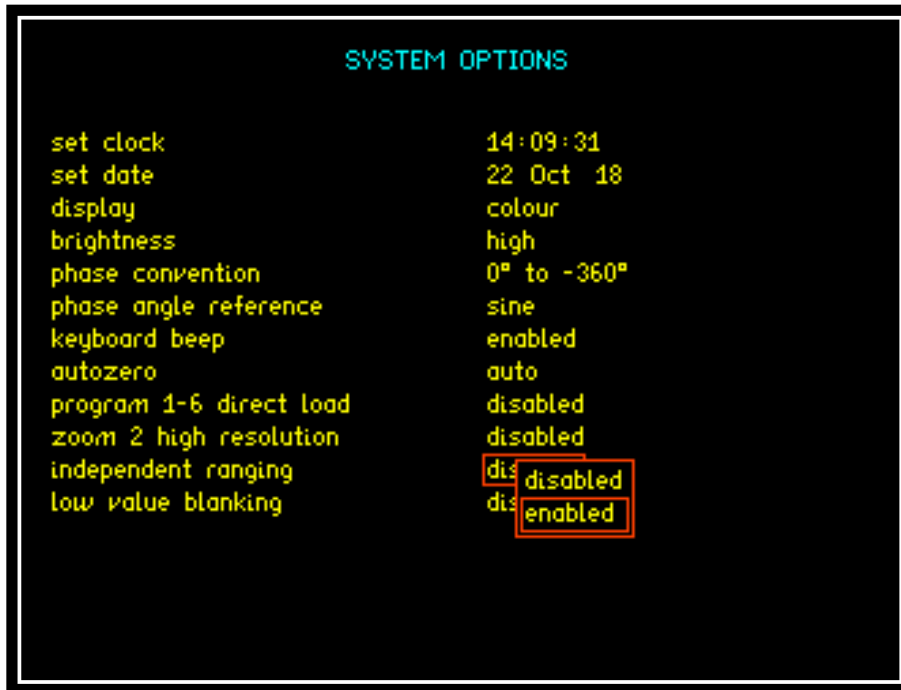
4.1.1 Use with non-system calibrated CT's

Press the SYS key

Press the DOWN ARROW key until Independent ranging is highlighted red

Press the RIGHT ARROW, select Enabled with the DOWN ARROW key.

LEM-1 User Manual



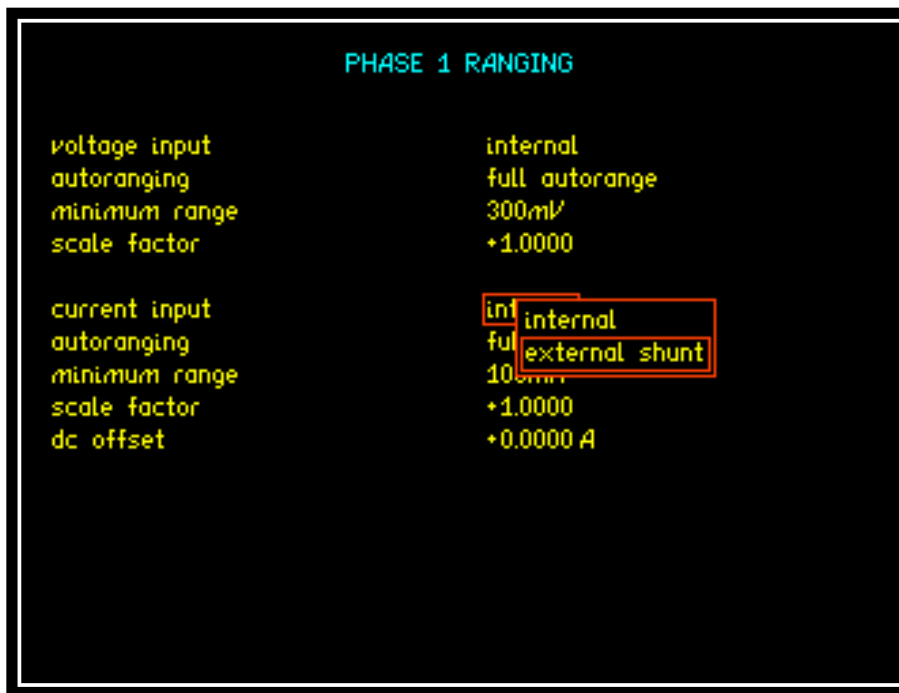
Press ENTER key twice to return to the power analyser screen.

Press the RANGE key.

Press the DOWN ARROW key five times until Current Input is highlighted.

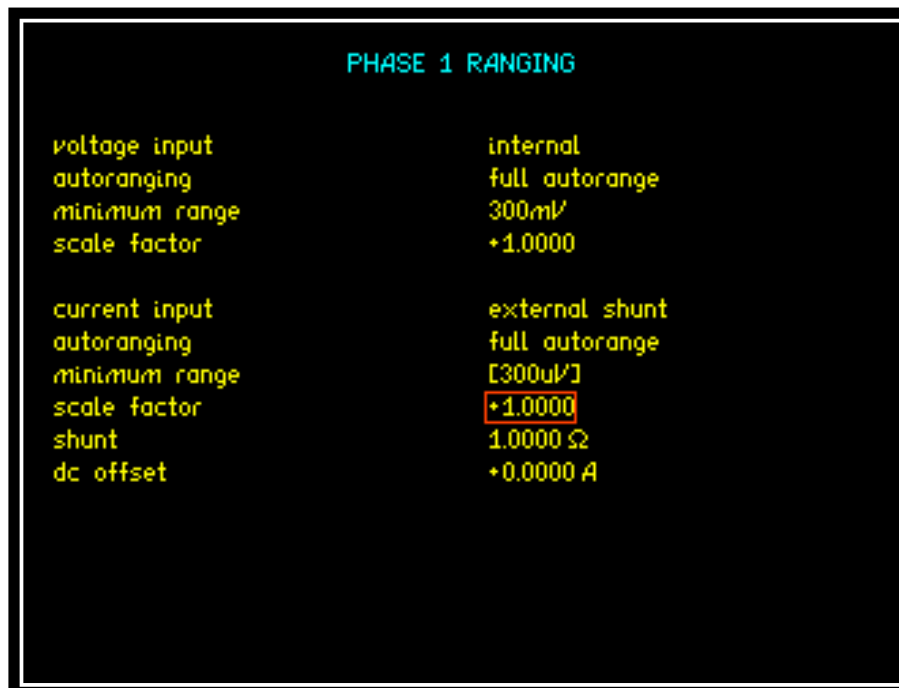
Press RIGHT ARROW key, then DOWN ARROW key to select External shunt.

LEM-1 User Manual



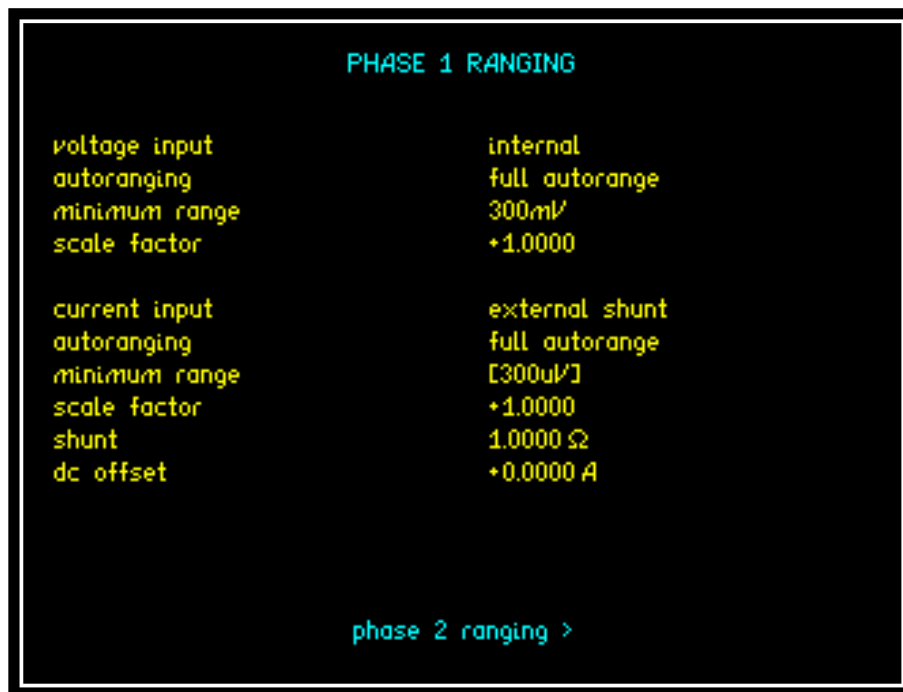
Press ENTER key

Press DOWN ARROW key 3 times and set the Scale factor to suit the CT in use.



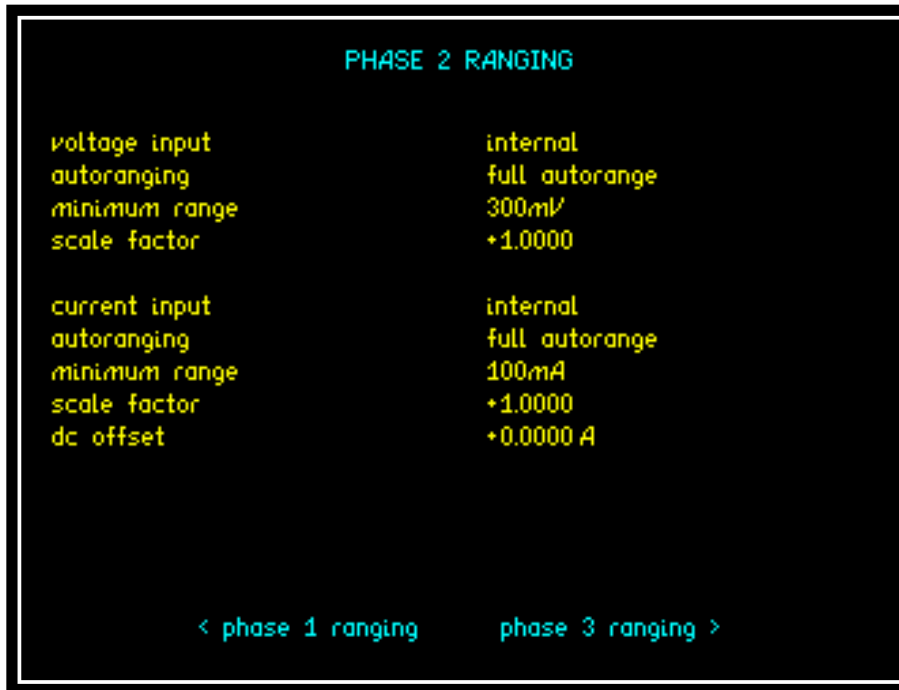
LEM-1 User Manual

Press DOWN ARROW key and set the shunt value to actual value from calibration certificate.



Press HOME key then using RIGHT ARROW key go to the next phase.

LEM-1 User Manual



Repeat above steps for each LEM-1 connected to the PPA.

4.1.2 Use with system calibrated CT's

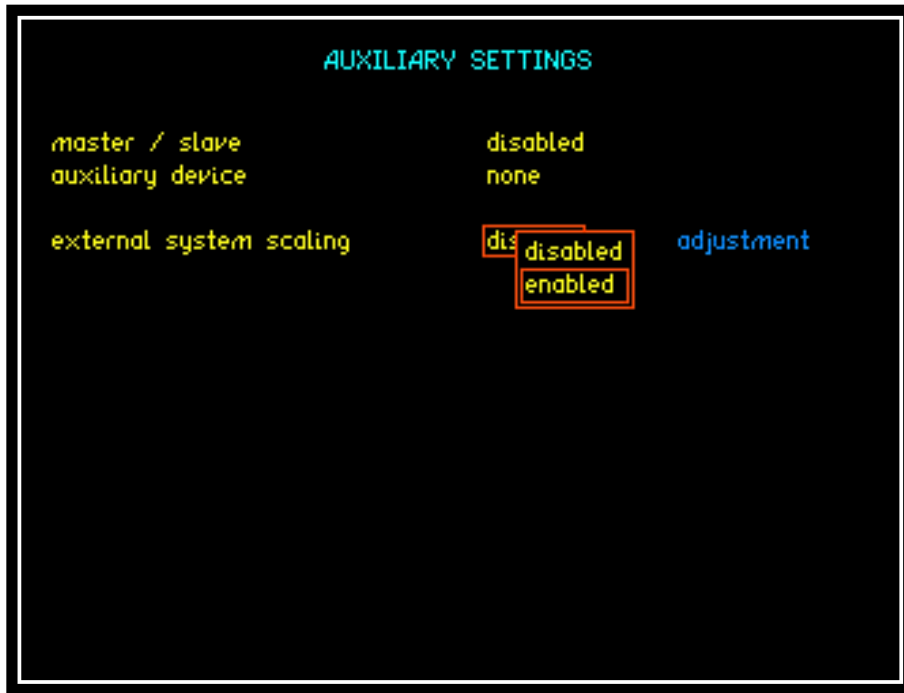
Press AUX.

Press DOWN ARROW 3 times to highlight External system scaling.

Press RIGHT ARROW

Press DOWN ARROW to select enabled.

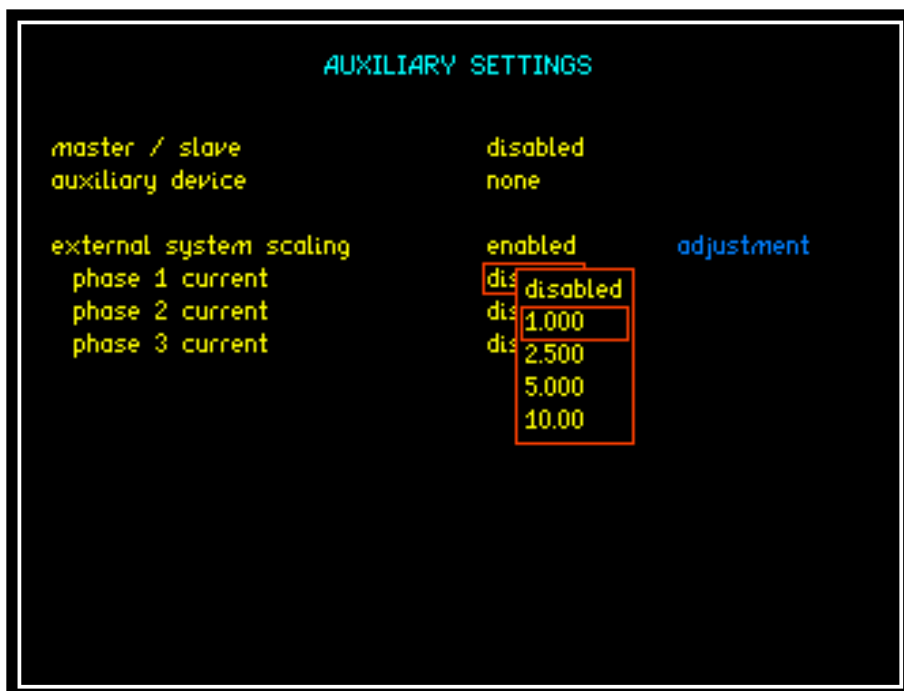
LEM-1 User Manual



Press ENTER key

Press DOWN ARROW to highlight Phase 1

Press RIGHT ARROW, this now displays menu showing shunts.



LEM-1 User Manual

Using the DOWN ARROW selects shunt value, press ENTER and in blue the adjustment is shown
Press ENTER.

```
AUXILIARY SETTINGS

master / slave          disabled
auxiliary device       none

external system scaling  enabled      adjustment
phase 1 current         1.000          993.83m
phase 2 current         disabled
phase 3 current         disabled
```

Repeat for each connected LEM-1

LEM-1 User Manual

5 Specifications

Compatible Transducers

IT60-S	IT1000-S
IT65-S	ITN600-S
IT200-S	ITN900-S
IT205-S	ITN1000-S
IT400-S	LF510-S
IT405-S	LF1010-S
IT605-S	LF2010-S
IT700-S	LF510/1010 PSU

Output Voltage @ BNC connector	+/- 3Vpk
Output Current @ 4mm Terminal	+/- 1Apk
Accuracy	0.1%
(With system calibration)	0.04%

Physical

Size	LEM-1 - 42H x 92W x 122.2D mm - excl feet & connectors
Weight	1.0kg
Safety isolation	1000V rms or dc - category II
Power supply	100-240 VAC 50-60Hz

All specifications at 23°C ± 5°C.

These specifications are quoted in good faith but Newtons4th Ltd reserves the right to amend any specification at any time without notice

LEM-1 User Manual

6 Appendix A – Compatible CT's

Model Number	Current Rating		Conversion Factor
IT60-S	60Apk	42Arms	600
IT65-S	85Apk	60Arms	1000
IT200-S	200Apk	141Arms	1000
IT205-S	283Apk	200Arms	2000
IT400-S	400Apk	282Arms	1500
IT405-S	566Apk	400Arms	1750
IT700-S	700Apk	495Arms	1000
IT1000-S	1000Apk	707Arms	1500
IT605-S	849Apk	600Arms	1500
ITN600-S	600Apk	424Arms	1500
ITN900-S	900Apk	639Arms	1500
ITN1000-S	1000Apk	707Arms	1500
IN1000-S	1500Apk	1000Arms	2250
IN2000-S	3000Apk	2000Arms	3000
LF510-S	500Arms	0.6%*	5000
LF1010-S	1000Arms	0.4%*	5000

0.1% with system calibration AC+DC

LEM-1 User Manual

6.1 Appendix B – Contact Details

Please direct all queries or comments regarding the LEM-6 instrument or manual to:

Newtonson4th Ltd.
1 Bede Island Road
Leicester
LE2 7EA
United Kingdom

Tel: (0116) 230 1066 international +44 116 230 1066
Fax: (0116) 230 1061 international +44 116 230 1061

E-mail address: sales@newtonson4th.com
 office@newtonson4th.com

web site: www.newtonson4th.com

At Newtonson4th Ltd. we have a policy of continuous product improvement and are always keen to hear comments, whether favourable or unfavourable, from users of our products.

An example comment form can be found at the end of this manual – if you have any comments or observations on the product please fill a copy of this form with as much detail as possible then fax or post it to us.

Alternatively send an e-mail with your comments.

LEM-1 comments

serial
number:

date:

your contact details:

comments:

detailed description of application or circumstances:

Please post or fax to Newtons4th Ltd.