

IAI 22mm Adaptor

IAI - 22m

22mm, BNC test fixture adapter for use with the N4L IAI/IAI2 and third-party impedance fixtures

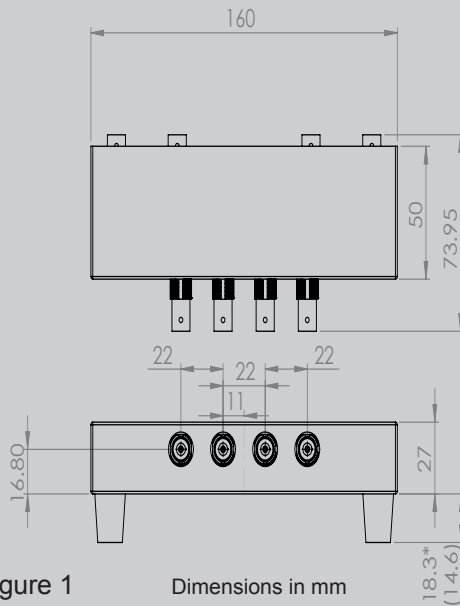
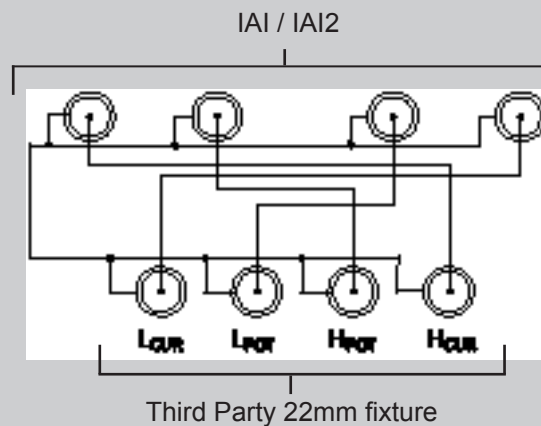
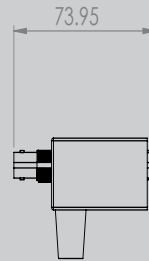


Figure 1

Dimensions in mm

18.3*
(14.6)

* 18.3mm spacer used with IAI2 adapter; 14.6mm used with IAI adapter



ELECTRICAL DATA

| | |
|-------------------|---|
| Bandwidth | Up to 1MHz |
| Accuracy | Match IAI specification (with compensation) |
| Dimensions | See Figure 1 |
| Max input voltage | $\pm 20V_{pk}$ |



SAFETY WARNING: This note must be read in full. Any operations on live conductors can be dangerous. The operator is expected to be fully aware of all necessary electrical safety regulations and procedures. Safe operation is his responsibility. It is up to the user to ensure that the equipment is at all times in its original safe conditions.